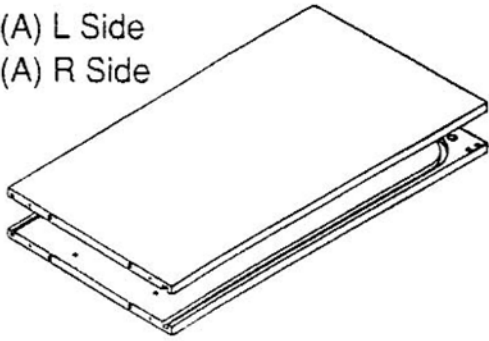
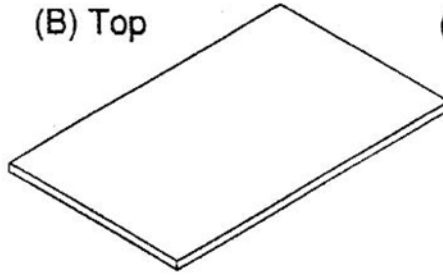


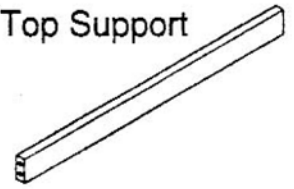
(A) L Side  
(A) R Side



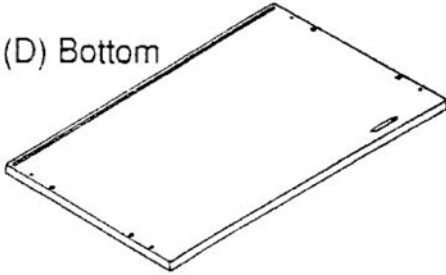
(B) Top



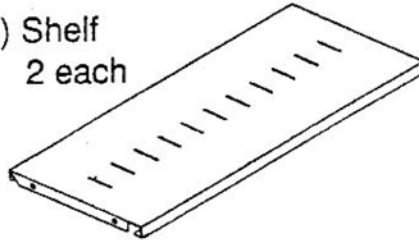
(C) Top Support



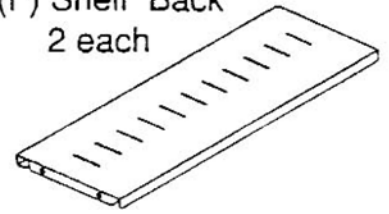
(D) Bottom



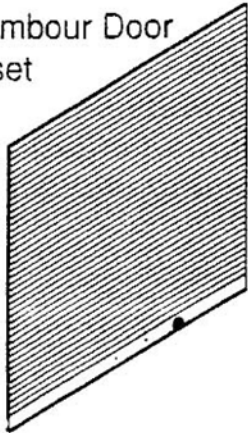
(E) Shelf  
2 each



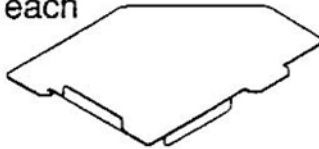
(F) Shelf Back  
2 each



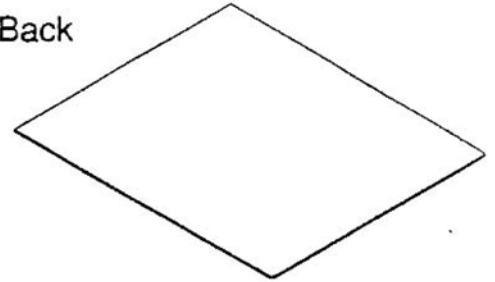
(G) Tambour Door  
1 set

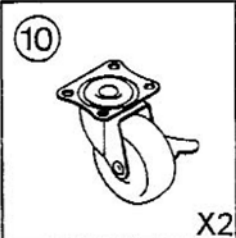

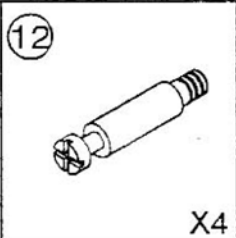
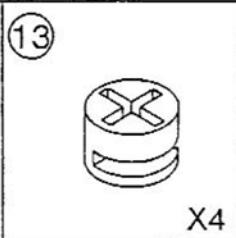
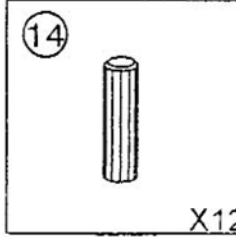
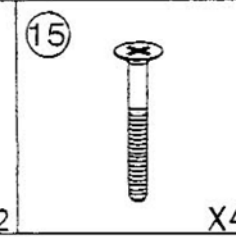
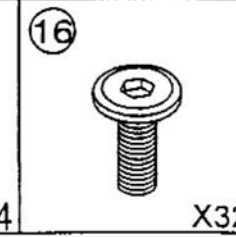
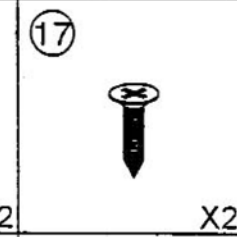
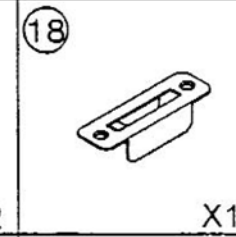
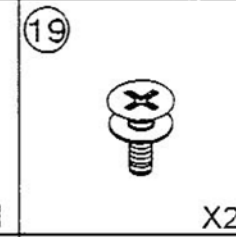
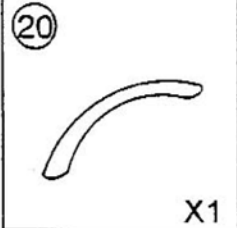
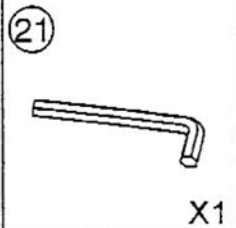



(H) Divider  
2 each

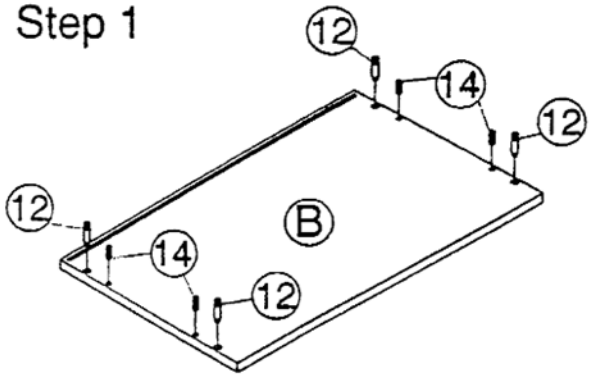


(I) Back

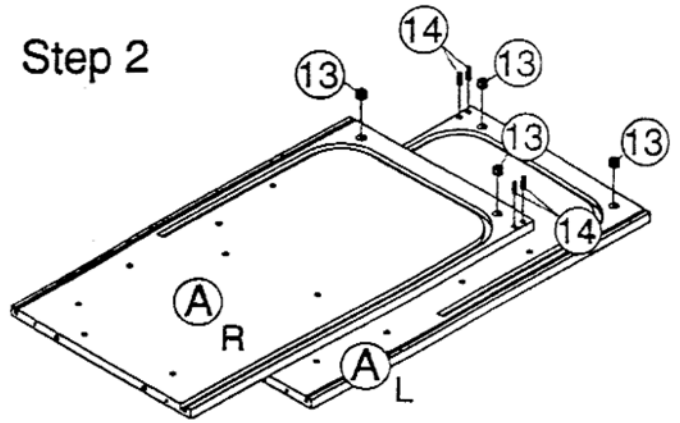


 <p>10</p> <p>X2</p>	 <p>11</p> <p>X2</p>	 <p>12</p> <p>X4</p>	 <p>13</p> <p>X4</p>		
 <p>14</p> <p>X12</p>	 <p>15</p> <p>X4</p>	 <p>16</p> <p>X32</p>	 <p>17</p> <p>X2</p>	 <p>18</p> <p>X1</p>	 <p>19</p> <p>X2</p>
		 <p>20</p> <p>X1</p>	 <p>21</p> <p>X1</p>	 <p>22</p> <p>X2</p>	

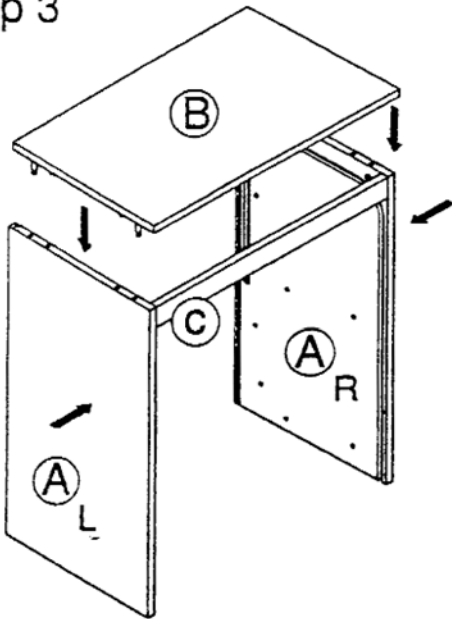
Step 1



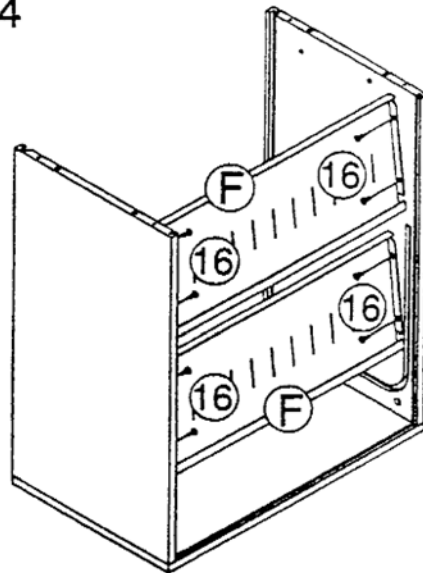
Step 2



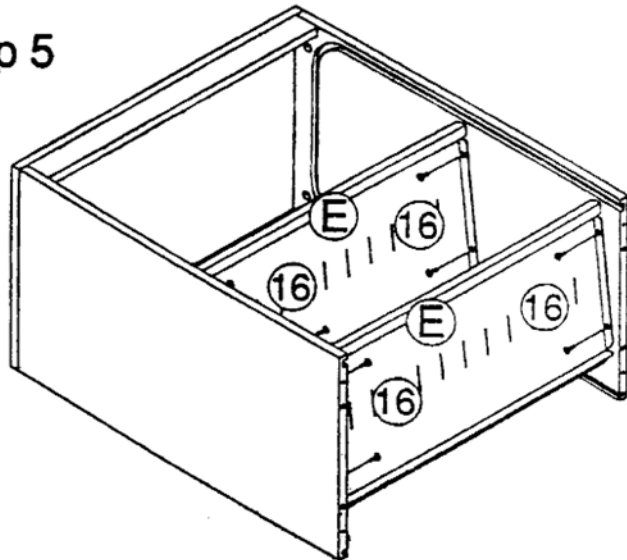
Step 3



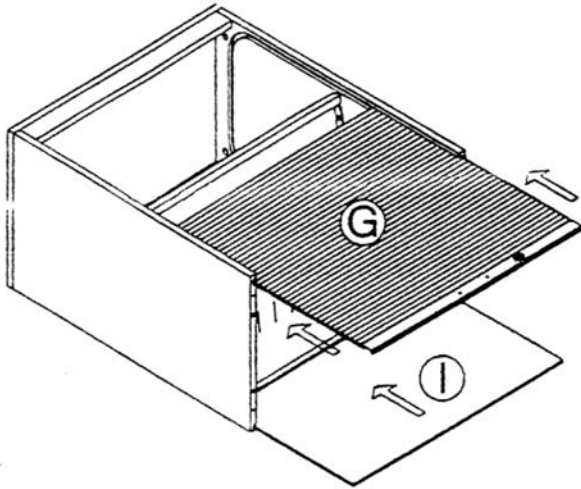
Step 4



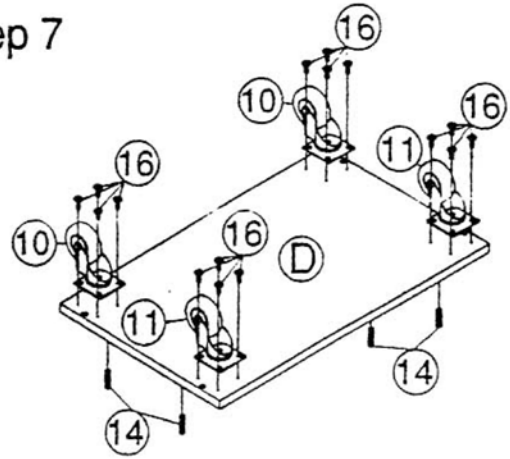
Step 5



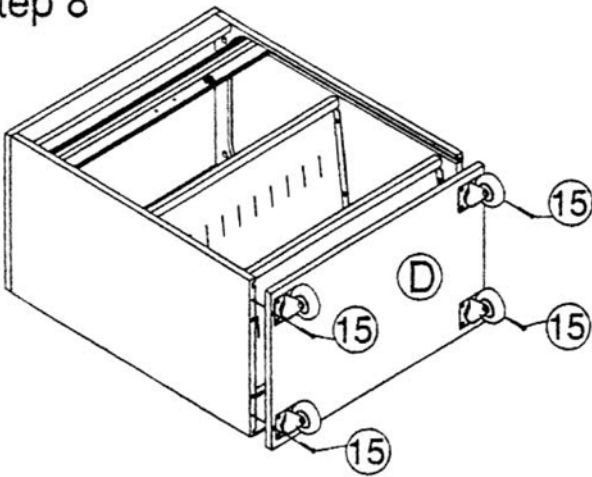
Step 6



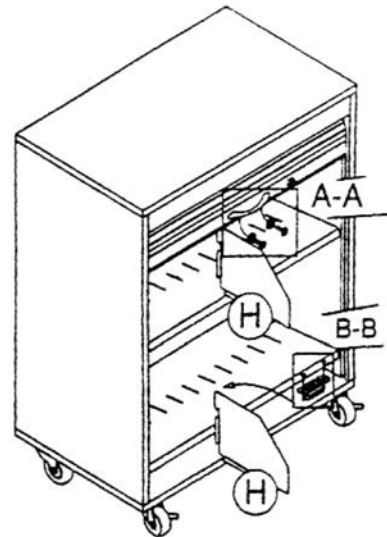
Step 7



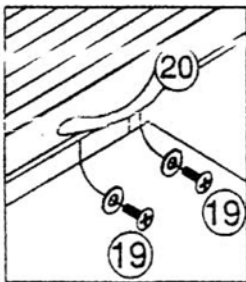
Step 8



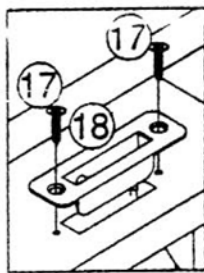
Step 9



A-A



B-B



Step 10

